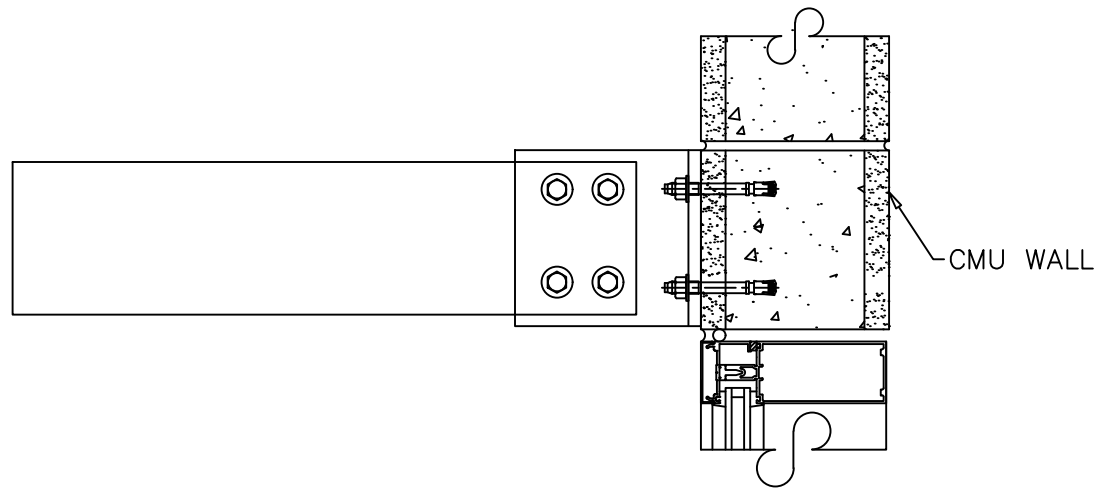


SUNSHADE DESIGNS MUST MEET LOCAL CODE REQUIREMENTS  
 PLEASE CONTACT C/S REPRESENTATIVE IN YOUR AREA  
 FOR ASSISTANCE.



SECTION VIEW DETAIL OF CUSTOM  
 CANTILEVER AIRFOIL SUNSHADE SYSTEM

THIS DOCUMENT IS THE PROPERTY OF CONSTRUCTION SPECIALTIES, INC., WHICH CONTAINS CONFIDENTIAL PROPRIETARY INFORMATION THAT IS NOT TO BE DISCLOSED TO A THIRD PARTIES, AND IS NOT TO BE USED WITHOUT WRITTEN APPROVAL FROM CONSTRUCTION SPECIALTIES, INC.



**Construction Specialties™**

49 Meeker Avenue, Cranford, NJ 07016-3198  
 Phone (800)-526-6930 / Fax (908)-272-6038

PROJECT:	SCALE:
LOCATION:	DSGN & DRW BY:
ARCH'S:	DATE:
AGENT:	DRW NO :