

**Blank-Off
Insulated and Sheet**

Material Insulated Blank-Off:

Sheet & Frame Material:	3003 H14 Aluminum
Nominal Sheet Thickness:	0.050" (1.2 mm)
Nominal Frame Thickness:	0.050" (1.2 mm)
Sheet & Frame Finish:	Black Kynar 500 minimum 1 mil (0.025mm) thick full strength 70% resin Fluoropolymer coating
Insulated Material:	Mineral Wool #6 Density
Insulation Value:	1" deep = R4 2" deep = R8 3" deep = R12

Models:

IBO-1S:	1" (25.4 mm) insulated silicone sealed blank-off
IBO-2S:	2" (50.8 mm) insulated silicone sealed blank-off
IBO-3S:	3" (76.2 mm) insulated silicone sealed blank-off
SO	.050" (1.2mm) uninsulated sheet blank-off

Material Sheet Blank-Off:

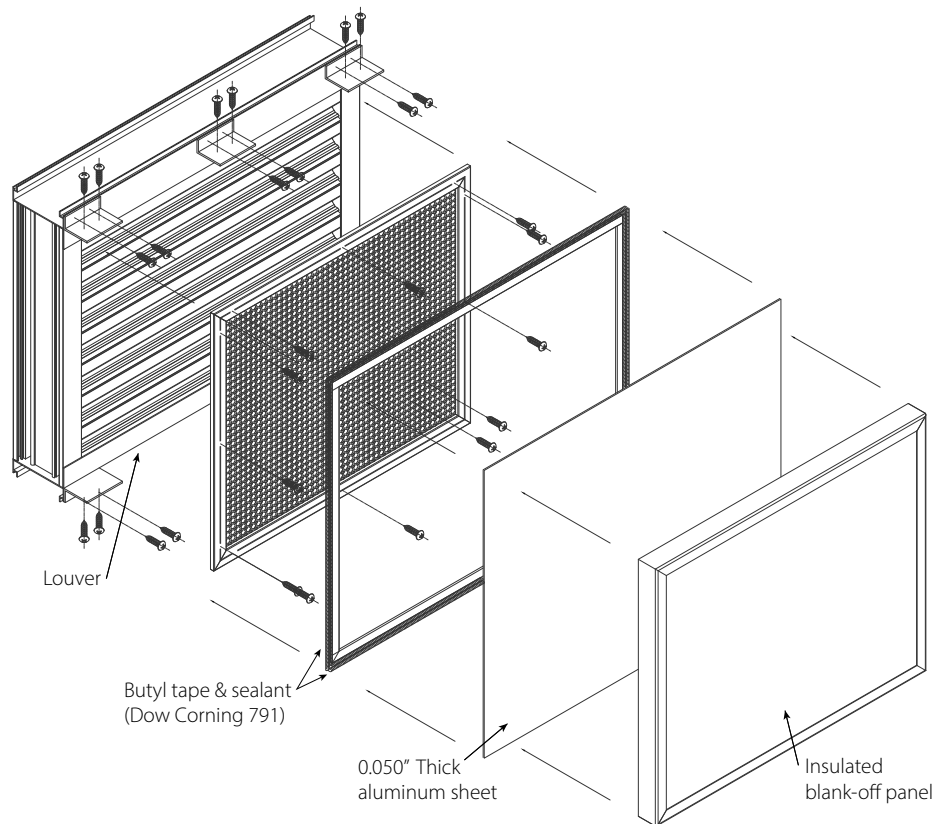
Sheet Material:	3003 H14 Aluminum
Nominal Sheet Thickness:	0.050" (1.2 mm)
Sheet Finish:	Black Kynar 500
Insulation Value:	None
Fastening Method:	Caulked to rear louver frame

Blank-Off to Louver Connection

Custom fabricated blank-off panels factory sealed and quality tested. Includes independent 0.50" aluminum sheet forming the primary air and water seal, which is adhered with butyl tape and whose perimeter is fully sealed and tooled with DOW 791 weather silicone. Any insulated blank-off panels are to be fastened independently to the rear side of the louver, through dry zones of the framing and NOT penetrating any part of the primary sealing sheet.

Bird or insect screen shall be installed directly the back of the louver frame in between the louver and blank-off system.

Includes in-house quality control testing.



Blank-Off Insulated and Sheet

Compliance & Performance*

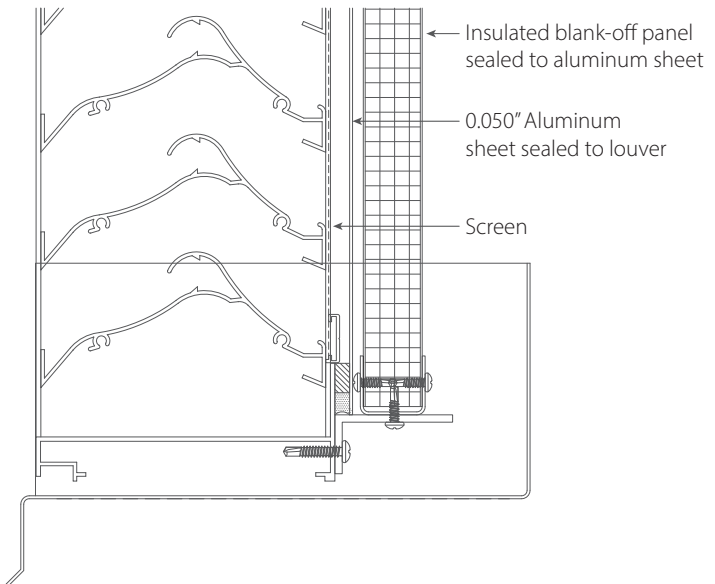
- ASTM C 612 Mineral Fiber Block & Board Thermal Insulation:
 - Type IVB

Insulation Fire Performance*

- ASTM E 136 Behavior of Materials at 750 °C (1382 °F):
 - Non-Combustible
- CAN4 S114 Test for Non-Combustibility:
 - Non-Combustible
- ASTM E 84 (UL 723) Surface Burning Characteristics:
 - Flame Spread=0
 - Smoke Developed=0
- CAN/ULC S102 Surface Burning Characteristics:
 - Flame Spread=0
 - Smoke Developed<5
- Thermal Resistance: ASTM C 518 (C177)
 - R-value/inch @ 75 °F:
 - 4.2 hr.ft².F/Btu
 - RSI value/25.4 mm @24 °C:
 - 0.74 m²K/W

**Performance based on insulated material only*

Section View



Plan View

